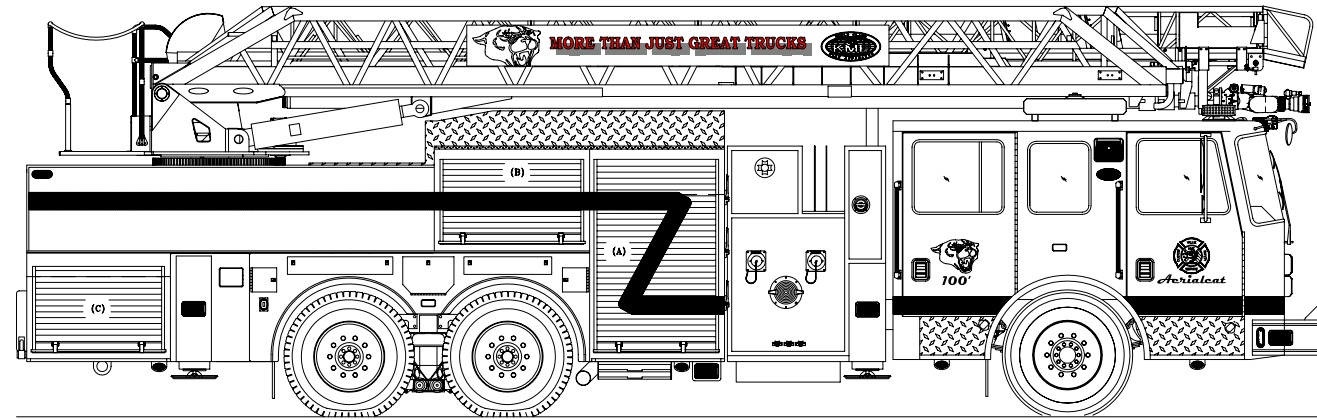
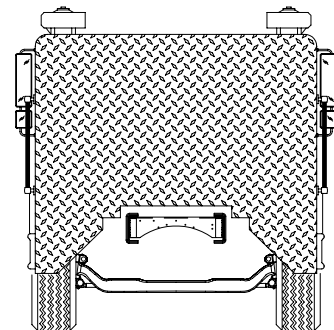


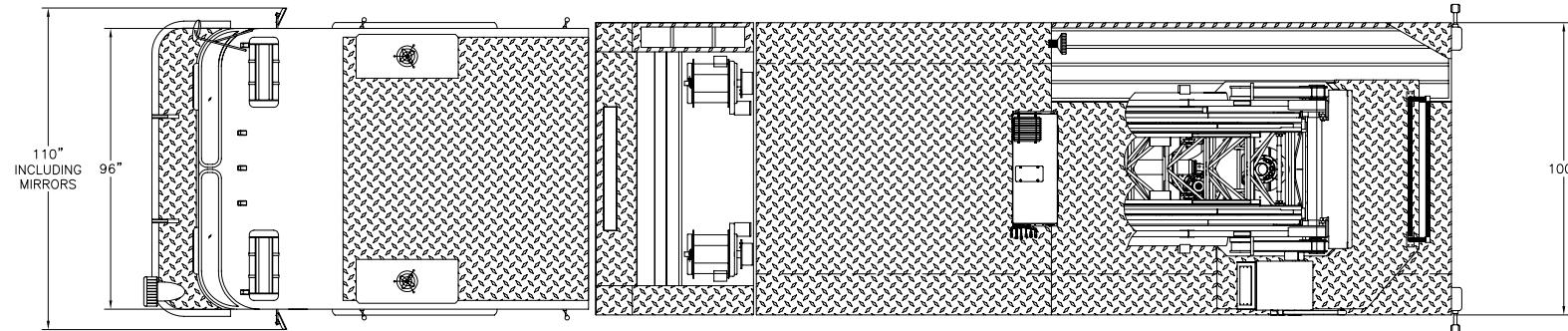
REAR VIEW



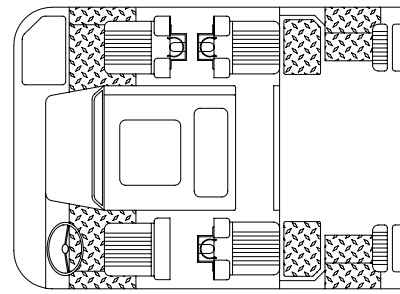
OFFICERS SIDE VIEW



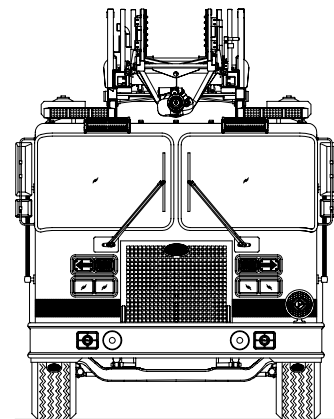
REAR VIEW OF CAB



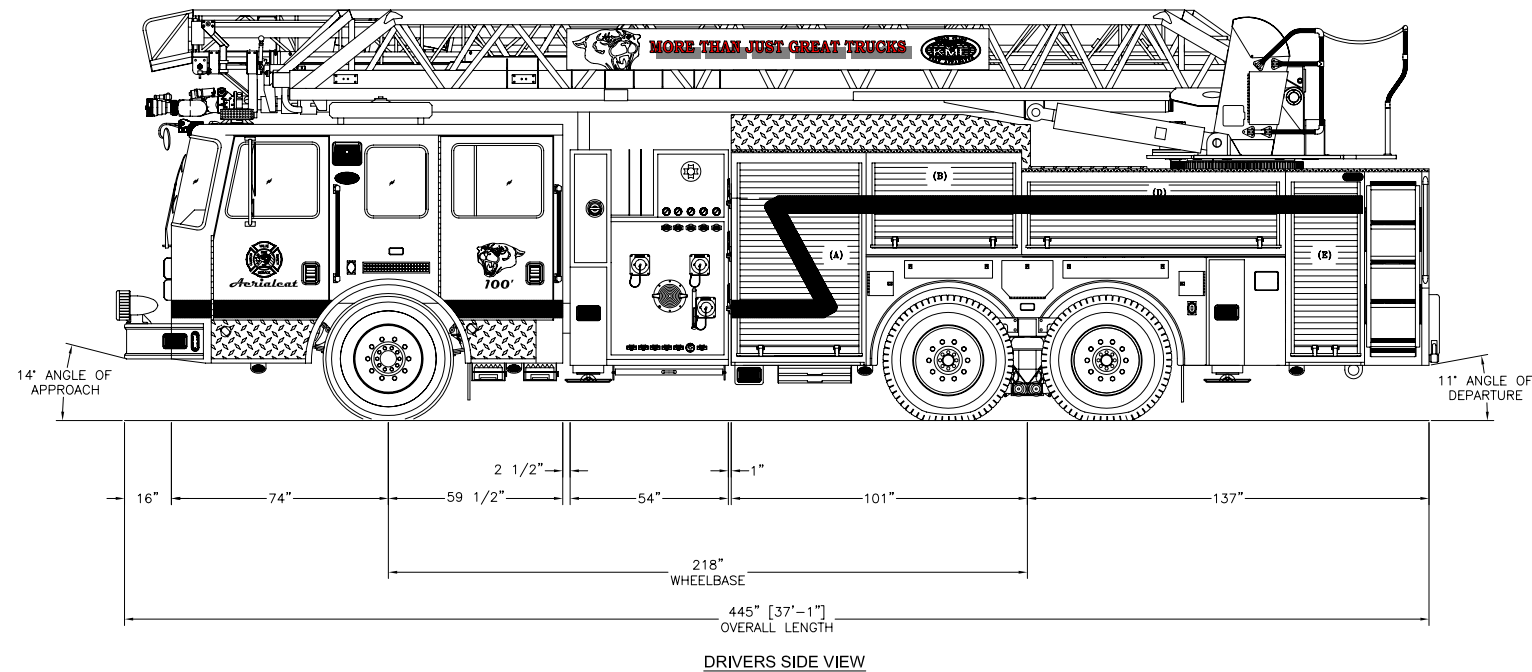
TOP VIEW



CAB INTERIOR LAYOUT



FRONT VIEW



DRIVERS SIDE VIEW

SPECIFICATIONS

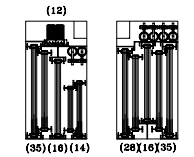
CHASSIS: PREDATOR SEVERE SERVICE X-MFD
 ENGINE: CUMMINS ISM 500 HP w/ ENGINE BRAKE
 TRANSMISSION: ALLISON 4000EVS 5-SPEED AUTOMATIC
 FRONT AXLE: MERITOR MFS-20-133A-N; #23,000
 REAR AXLE: MERITOR RT-52-185; #54,000
 PUMP: HALE Q-MAX-200, 2000 GPM SINGLE STAGE
 TANK: 500 GALLON POLYIIE w/ 20 GALLON FOAM CELL

COMPARTMENT SIZE

Letter Designation	Door Opening [in]		Internal Compartment Size [in]		
	Height	Width	Height	Width	Depth
(A)	86	x 42	70-1/2	x 54	x 46 x 27 / 14
(B)	29	x 49	33-1/2	x 17	x 53 x 27 / 14
(C)	29-1/2	x 45	34	x 26	x 49 x 25 / 14
(D)	22-1/2	x 86	27	x 90	x 27
(E)	59-1/2	x 45	64	x 49 / 37	x 27 / 10-1/2
(F)	59-1/2	x 10	64	x 12	x 22

ISO GROUND LADDERS

- 2 - ALCO-LITE 35' 2-SECTION; PEL-35
- 1 - ALCO-LITE 28' 2-SECTION; PEL-28
- 2 - ALCO-LITE 16' ROOF w/ FOLDING HOOKS; PRL-16
- 1 - ALCO-LITE 14' ATTIC EXTENSION - AEL-14
- 1 - ALCO-LITE 12' FOLDING; FL-12



ENLARGED TO SHOW BANKING DETAIL

DISCHARGES

- 2 - 2-1/2" LEFT SIDE
- 1 - 2-1/2" RIGHT SIDE
- 1 - 4" RIGHT SIDE
- 2 - 1-3/4" CROSSLAY
- 1 - 2-1/2" CROSSLAY
- 1 - 3" AERIAL

NOTES

THIS DRAWING IS A GENERAL CONFIGURATION AND MAY NOT NECESSARILY REFLECT ALL CONTRACTUAL OBLIGATIONS. PLEASE REVIEW AND RETURN A SIGNED COPY.

NAME: _____
 TITLE: _____
 DATE: _____

CUSTOMER PAINT CODES

LOWER CAB AND BODY: PPG RED #73841
 CAB TWO TONE: N/A
 LADDER: PPG WHITE #8000
 COMPARTMENT INTERIOR: MARBLE WHITE ZOLATONE

REV	DATE	REVISION DESCRIPTION	APP'D

SALES ENGINEER : JASON BEHLER



KME FIRE APPARATUS

ONE INDUSTRIAL COMPLEX
 NESQUEHONING, PA 18240

DATE: 01SEP09 SCALE: NONE DRAWN BY: S. HEISER APPROVED BY: PPH

100' AERIALCAT REARMOUNT LADDER
 140" TRAVEL HEIGHT, 218" WHEELBASE

GSO #7748 - WEST COAST DEMO

PROPOSAL PRINT

THIS DRAWING IS THE PROPERTY OF KME. DO NOT COPY OR USE WITHOUT WRITTEN PERMISSION FROM KME. RETURN TO KME FOR REVISIONS.

DO NOT CHANGE MANUALLY